

Installation Instructions

Built-In Oven Trim Kit Model Numbers: Oven Trim Kit 27" T7M54T, Oven Trim Kit 30" T7MK4T

For use with Smart Oven Model Number EB544N only.
If you have questions, visit our website at [Amazon.com/help/smartoven](https://www.amazon.com/help/smartoven).

BEFORE YOU BEGIN

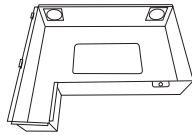
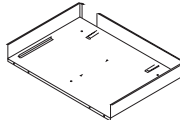
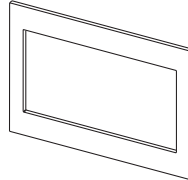
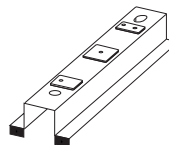


Read these instructions completely and carefully.

- **IMPORTANT** – Save these instructions for local inspector’s use.
- **IMPORTANT** – Observe all governing codes and ordinances.
- Note to Installer – Be sure to leave these instructions with the Consumer.
- Note to Consumer – Keep these instructions for future reference.
- Skill level – Installation of this appliance requires basic mechanical and electrical skills.
- Completion time – 1 to 3 hours
- Proper installation is the responsibility of the installer.
- Product failure due to improper installation is not covered under the Warranty.
- This kit is for use on model: EB544N
- This kit and oven are approved for installation alone or above any single electric wall oven. Do not mount adjacent (within 2 feet) to any range, cooktop, gas oven, or microwave.
- This product is to be installed at least 3 feet above floor level.
- Do not alter or modify any part of this kit or the oven.
- For easier installation and personal safety, we recommend that two people install this oven.
- Unplug the oven before attempting installation of this kit.

⚠ WARNING This oven must be plugged into a properly grounded 3-hole, 120 volt receptacle as required by the National Electrical Code.

⚠ WARNING Before beginning the installation, switch power off at service panel and lock the service disconnecting means to prevent power from being switched on accidentally. When the service disconnecting means cannot be locked, securely fasten a prominent warning device, such as a tag, to the service panel.

PARTS INCLUDED

PART		QUANTITY
	Rear Duct	1
	Bottom Duct	1
	Trim Kit Frame	1
	Rail	2
	Short Screws	16 required 3 extra
	Long Wood Screws	4 required 2 extra

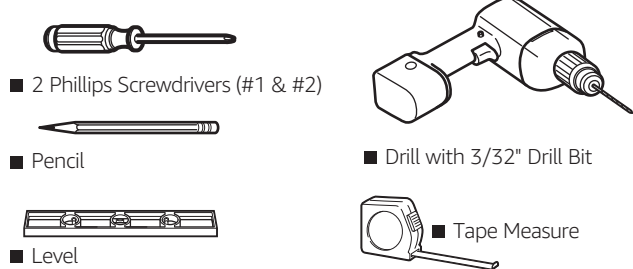
NOTE: This kit has extra screws to prevent the technician from spending extra time locating a replacement in case one is lost during installation.

Installation Instructions

ELECTRICAL REQUIREMENTS

The microwave oven rating is 120 volts AC, 60 Hertz, 14 amps and 1.60 kilowatts. The microwave oven must be connected to a supply circuit of the proper voltage and frequency. Wire size must conform to the requirements of the National Electrical Code or the prevailing local code for this kilowatt rating. The power supply cord and plug should be brought to a separate 15 ampere branch circuit single grounded outlet. The outlet box should be located in the cabinet above the oven. The outlet box and supply circuit should be installed by a qualified electrician and conform to the National Electrical Code or the prevailing local code.

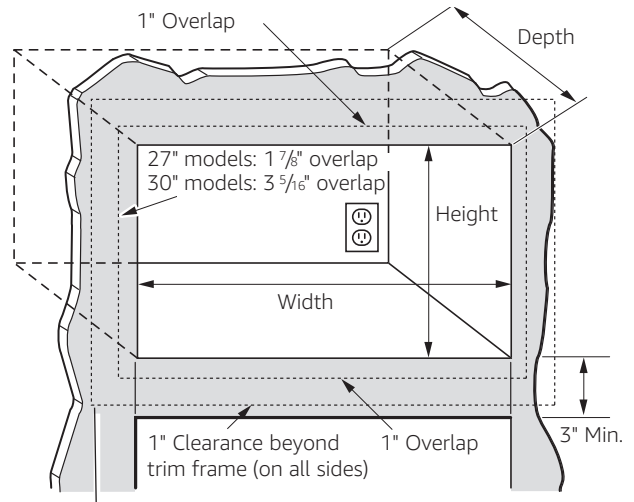
TOOLS YOU WILL NEED



CUTOUT DIMENSIONS

Dimension	Trim Kit		Cutout
	27"	30"	
Height	19 1/8"	19 1/8"	17 1/8" ± 1/8"
Width	26 7/8"	29 3/4"	23 1/4" ± 1/8"

Min. depth with receptacle outside cutout – 22"
 Min. depth with receptacle inside cutout – 23 1/2"
 120 volt – 60 Hertz grounded power receptacle.



Bottom of trim kit must be minimum of 36" from floor

⚠ WARNING

This trim kit uses air flow from the top, bottom and sides of the trim frame. Blocking the air flow can cause the oven to function improperly and may cause damage to the oven.

Allow a 1" clearance beyond the edge of the trim kit frame to provide proper air flow.

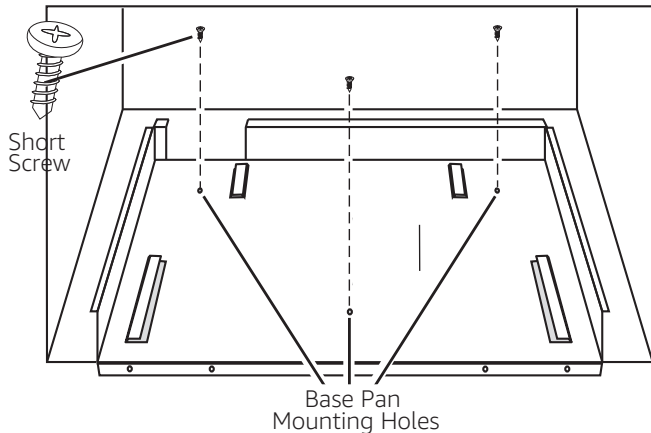
FOR INSTALLATION ABOVE A BUILT-IN OVEN:

Oven should be installed on a 3/8" plywood base and supported by 2x4 or 1x2 equivalent runners on all sides. Base must be capable of supporting a minimum of 100 lbs.

Installation Instructions

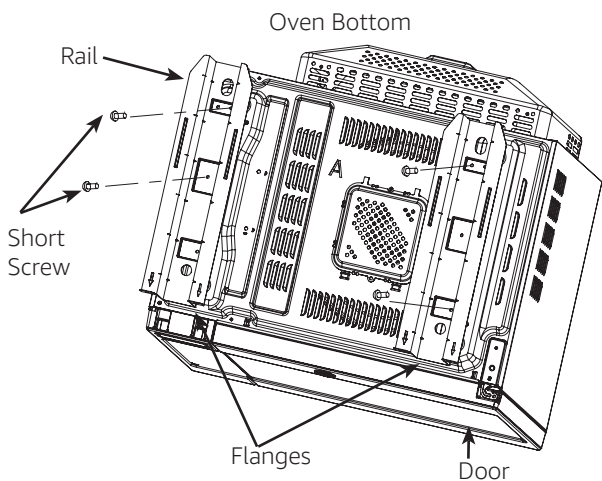
1 LOCATE AND INSTALL THE BASE PAN

Set Base Pan into the front cabinet oven cutout and center it right and left. Push back until the front flange is against the cabinet front wall. Mount the Base Pan using 3 short screws.



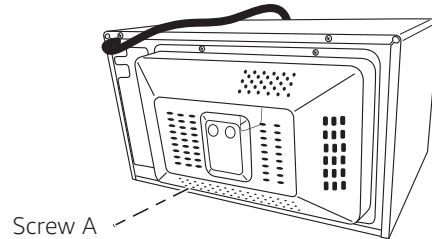
2 INSTALL THE RAILS

Disconnect the oven from the receptacle. Remove everything out of the oven, including packing, Owner's Manuals, turntable and turntable support. A protective film has been applied to some oven and trim kits. If applied, remove the film. Turn over the oven and secure the rails to oven Base Plate by inserting 4 short screws. Be careful not to scratch the oven.

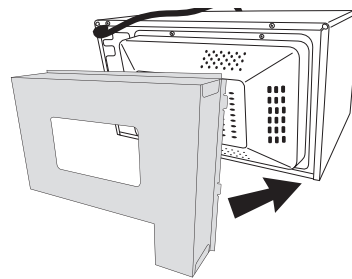


3 INSTALL THE REAR DUCT

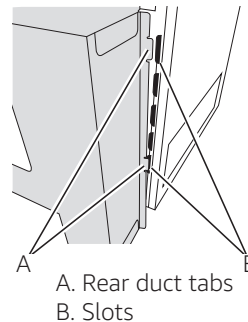
1. Gently return oven to its upright position.
2. Remove screw A.



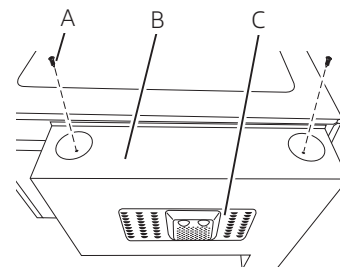
3. Align the rear duct with the back of oven, as shown.



4. Slide 2 tabs into the slots on the right side of the back of oven.



5. Use 2 short screws to secure top of rear duct to the back of oven, as shown.

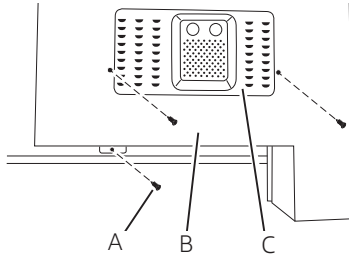


- A. Short screws (2)
- B. Rear duct
- C. Back of oven

Installation Instructions

3 INSTALL THE REAR DUCT (continued)

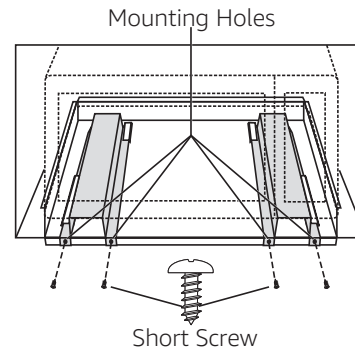
6. Use 3 short screws to secure back of rear duct to the back of oven, as shown.



- A. Short screws (3)
- B. Rear duct
- C. Back of oven

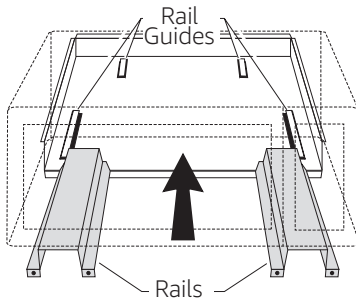
6 SECURE THE RAILS TO THE CABINET

Ensure the Base Pan and Bottom Bracket front flanges are tight against the cabinet, and that the screws holes are aligned. Drive 4 short screws through the Base Pan and Rails into the cabinet.



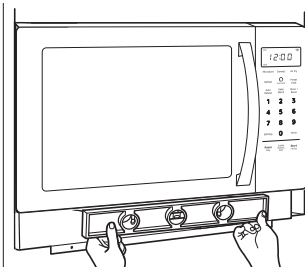
4 INSTALL THE OVEN

Plug the power cord into the wall receptacle. Slide the oven assembly gently into the cabinet, using care not to pinch the power cord. Be sure to keep the assembly centered as it slides back to where the tongue of the rails goes through the slots on Base Plan. The top edges of the Base Plan should now be centered right to left in the opening. The Base should be tight against the cabinet.



5 CHECK LEVELING

Check the leveling by placing a level at the front and sides of the oven. It may be necessary to add wood shims under the base pan to level the oven front-to-back and side-to-side.

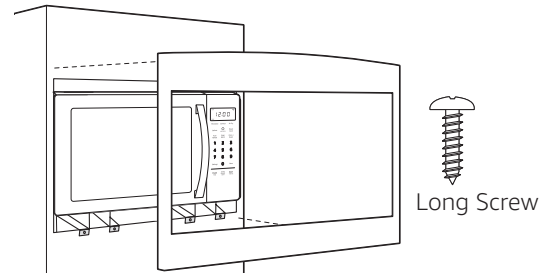


7 INSTALL THE TRIM KIT FRAME

1. Position the assembled Trim Kit frame around the oven.
2. Drill pilot holes using the drill (3/22).
3. Secure the Trim Kit by 4 long screws through the trim kit into the cabinet by using a manual screw driver.

IMPORTANT

Start all screws before tightening any one screw. Do not overtighten screws since it can cause misalignment of top/side strips.



8 REPLACE ANY LOOSE ITEMS

1. Your trim kit is now fully installed. Replace the turntable and turntable support that was removed from inside the oven.
2. Keep these installation instructions and extra screws for future reference and need. Do not place them in the oven.
3. Replace the house fuse, or close the circuit breaker to restore power at the service panel.

READ CAREFULLY. KEEP THESE INSTRUCTIONS.